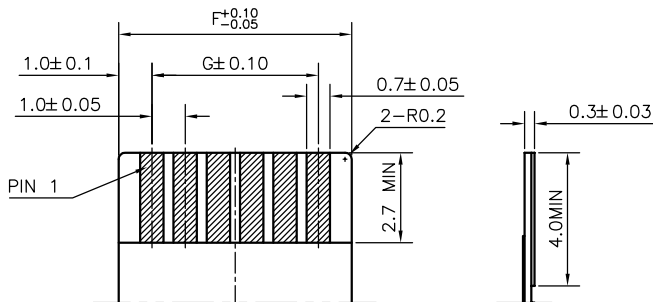


RECOMMENDED PCB LAYOUT
GENERAL TOLERANCE ±0.05



RECOMMENDED FPC/FFC DIMENSIONS
GENERAL TOLERANCE ±0.05

NOTES:

1. MATERIAL:
 - 1.1 HOUSING: THERMOPLASTIC, HIGH TEMP., UL94V-0; COLOR:NATURAL.
 - 1.2 ACTUATOR: THERMOPLASTIC, HIGH TEMP., UL94V-0; COLOR:BLACK.
 - 1.3 CONTACT: COPPER ALLOY
 - 1.4 FITTING NAIL: COPPER ALLOY
2. FINISH:
 - 2.1 CONTACT:
 - 50u" MIN. NICKEL UNDERPLATING OVERALL.
 - 1:GOLD FLASH PLATING.
 - N:80u" MIN. MATT TIN PLATING (LEAD FREE).
 - B:5u" GOLD PLATING ON CONTACT AREA.
 - M:3u" GOLD PLATING ON CONTACT AREA.
 - 2.2 FITTING NAIL:
 - 50u" MIN. NICKEL UNDERPLATING OVERALL.
 - 80u" MIN. MATT TIN PLATING (LEAD FREE).
3. REFLOW SOLDER CAPABLE TO 260°C PER ACES SPEC.
4. SPEC. PLS. REFER TO PS-51637-XXXX-XXX
5. PACKAGE PLS REFER TO PS-51637-XXXX-XX-TRP
6. PART NUMBER

51637-XXX X X-XXX
 NO OF CKT ——— PLATING
 001:NONE
 PACKING ——— PLATING
 0: TAPE & REEL 1: GOLD FLASH
 1: TUBE N: MATT TIN
 B: 5u" GOLD ON CONTACT AREA
 M: 3u" GOLD ON CONTACT AREA

CKT	DIM A	DIM B	DIM C	DIM D	DIM E	DIM F	DIM G
004	7.50	3.00	4.20	5.10	7.50	5.00	3.00
006	9.50	5.00	6.20	7.10	9.50	7.00	5.00
008	11.50	7.00	8.20	9.10	11.50	9.00	7.00

一般公差 TOLERANCES X ±0.50 XX ±0.15 X ±0.25 .XXX ±0.10 ANGLES ±2°		宏致電子股份有限公司 Aces Electronics Co.,Ltd.	
檢驗尺寸標示 SYMBOLS INDICATE CLASSIFICATION DIMENSION	品名 (TITLE) 1.0 PITCH FPC/FFC EASY ON TYPE H=1.00mm	製圖 (DR) '22/01/05 審核 (CHKD) BRAVE	ZHUWEI
MARK IS CRITICAL DIM. MARK IS MAJOR DIM.	圖號 (DWG NO.) 51637-XXXXX-XXX	核准 (APPD) BRAVE	
表面處理 (FINISH)	比例 (SCALE) 3:1	單位 (UNITS) mm	張數 (SHEET) 1 OF 1
			尺寸 (SIZE) A4
			版次 (REV) D